

# 7 Trim Angle Adjusting

SPIRIT 1.0 has four trim angle options including 21°, 14°, 7° and 0°. The trim angle should be adjusted according to the boat type and the running speed to achieve higher efficiency. It is recommended to try different trim angles at your desired running speed to achieve the best performance.

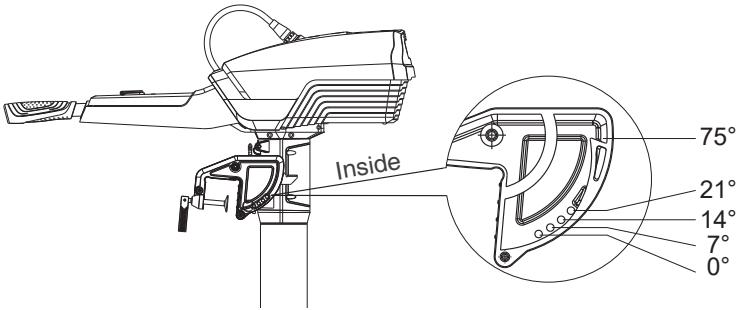


Figure 7-1

- ⚠ Only adjust the trim angle when the outboard is stopped.
- ⚠ Never toggle the Trim Release Lever if the propeller is rotating.

## To adjust trim angle

**Step1:** Pull the trim release lever up and tilt up the outboard to the 75° position.  
(Users can refer to the *section 4.5 Tilting up the Outboard Motor.*)

**Step2:** Remove the pull ring on the trim pin and then pull the trim pin out.

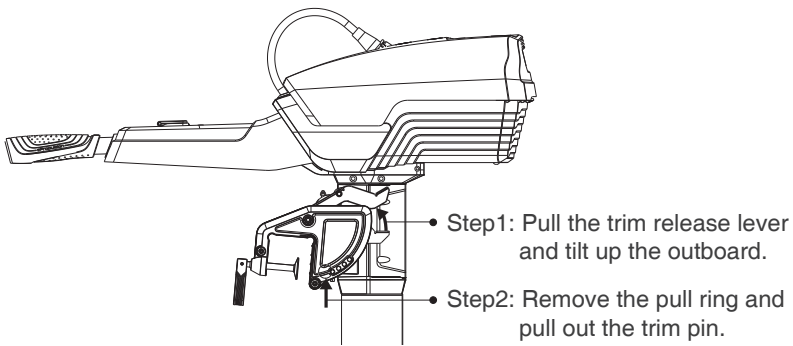


Figure 7-2

**Step3:** Select a desired trim angle and insert the trim pin into the corresponding position, attach the pull ring to fix the trim pin.

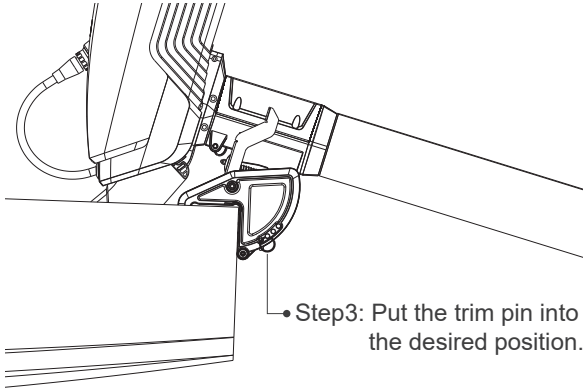


Figure 7-3

**Step4:** Pull the trim release lever again to lay down the outboard motor, and the outboard motor will stay at the desired trim angle.

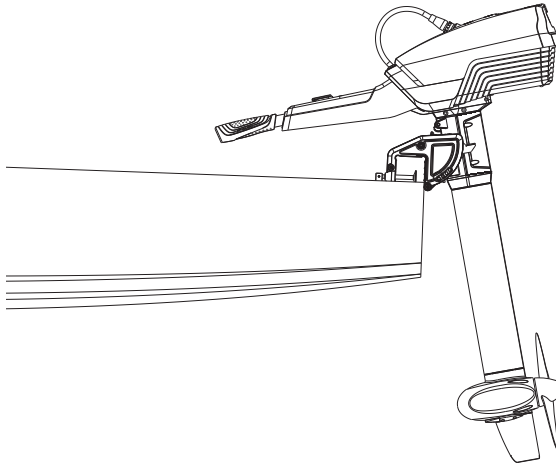


Figure 7-4

**Step5:** Try to tilt up the outboard and test if the angle is successfully fixed. It is recommended to try different trim angles to help find the best working trim angle for the boat and operating conditions. Please increase the speed gradually during test, watch out for water cavity and other instability problems, if the problem gets serious, stop the outboard immediately and try to reduce the trim angle.