

## 4.6 Fixing the Steering Direction

Before attaching the battery, inserting the Steering Lock Pin into the hole indicated in Figure 4-9 can fix the steering direction, and the rotation of tiller on horizontal level will be disabled. Use the pin if necessary.

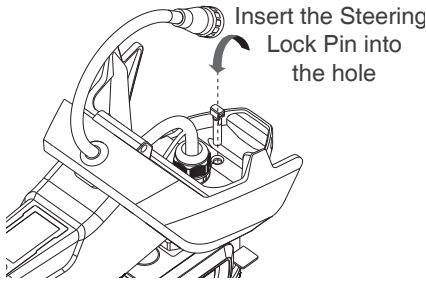


Figure 4-9

Steering direction fixed in front.

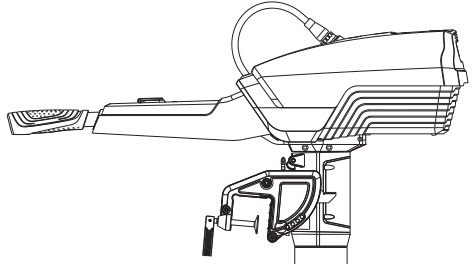


Figure 4-10

## 4.7 Fixing for Easy Carrying

Put the pin into the hole

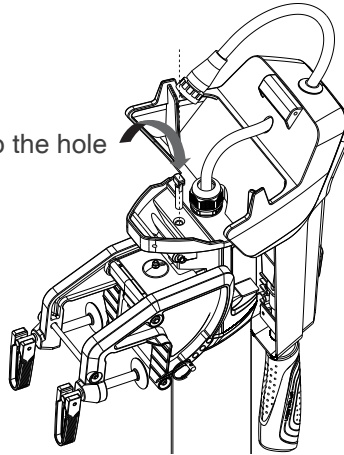


Figure 4-11

Rotate the tiller by 180° and fold to the position as indicated in Figure 4-11. Then put the lock pin into the hole to fix the folded tiller for easy carrying, storage or transportation.