

4.5 Tilting up the Outboard Motor

Toggle up the Trim Release Lever once, then take the battery handle to tilt up the outboard motor to a maximum height. After a "click" sound, release the battery handle and the outboard will stay at a position of 75° trim angle.

Hold the battery handle and toggle up the Trim Release Lever once again, users can lay down the outboard gently to the original position in water.

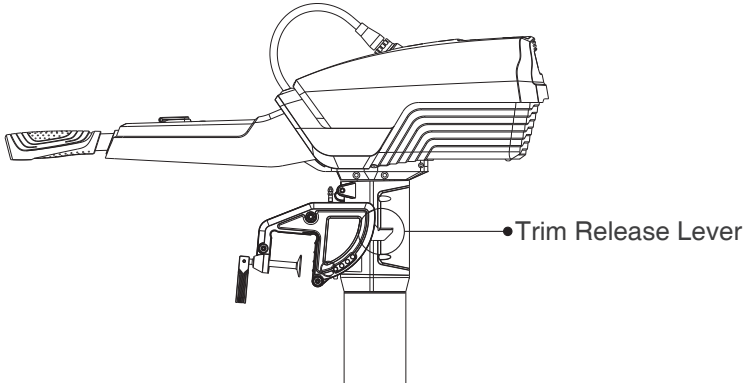


Figure 4-7

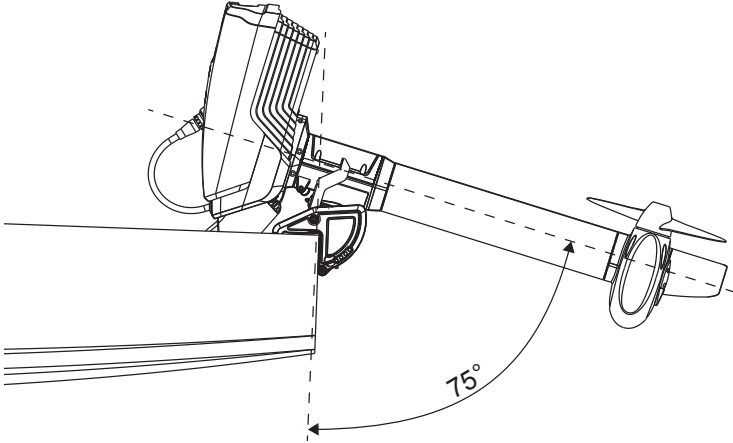




Figure 4-8

-  Never toggle the Trim Release Lever when the propeller is rotating.
-  Slight and gentle operations are recommended when tilting up and down.