

10 Anti-grounding Mode

When the boat runs in shallow water or in complicated underwater conditions, it may meet grounding dangers. Setting the outboard to anti-grounding mode will protect the outboard motor from damage if the outboard hits submerged reefs or rocks. In anti-grounding mode, the underwater part of the outboard is flexible in tilting direction and the motor will automatically tilt up if it hits something underwater.

⚠ Never turn the throttle backward when the outboard is in anti-grounding mode.

To set the outboard in anti-grounding mode:

Step1: Pull the beaching pin to the limit and hold, then pull the trim release lever to the upmost position.

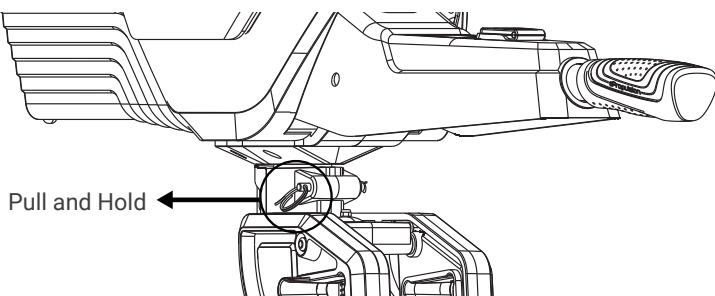


Figure 10-1

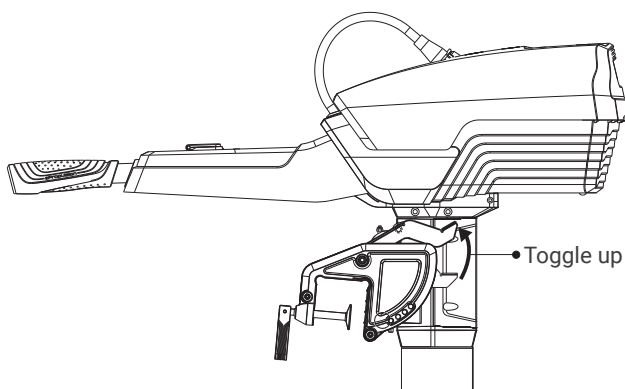


Figure 10-2

Step2: Release the beaching pin and the trim release lever will stay at the position shown in the figure below. And then the anti-grounding mode is activated.

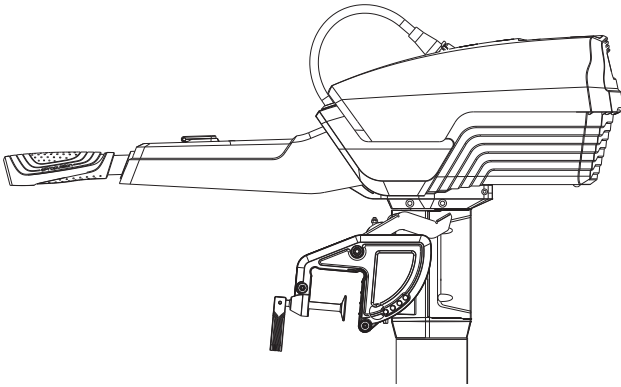


Figure 10-3

To inactivate the anti-grounding mode

Pull the beaching pin again and make the trim release lever return to horizontal position, the anti-grounding protection will be disabled and the outboard will work in normal state.

- ⚠ Never pull the trim release lever when the propeller is rotating.
- ⚠ Never activate the anti-grounding mode when the propeller is rotating.
- ⚠ Only use the anti-grounding mode in necessary conditions, such as in shallow water, near the shore or unknown underwater conditions.