

## Folding the tiller

Draw the tiller along axial direction to the limit then the tiller can be folded down.

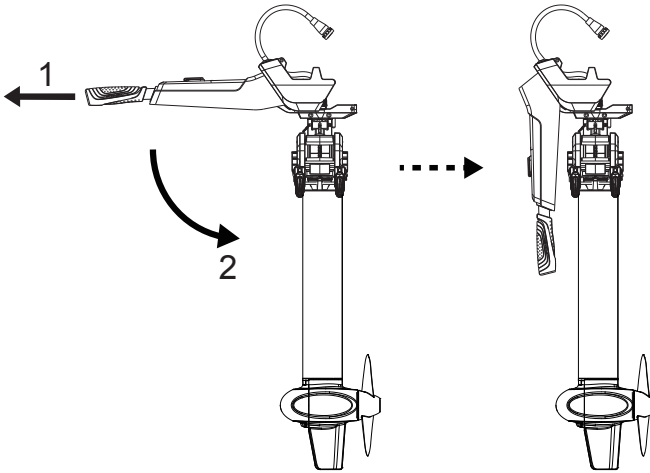




Figure 5-7

 Rotate the clamping bracket by 90° before folding down the tiller to avoid interference.

 Folding the tiller provides convenience when transporting or storing the outboard motor.