

Figure 2-3

1. To turn on the battery, please press and hold the power button on the remote switch for 1second (no more than 3 seconds). The running indicator and the indicator on the remote switch are both on. The battery will start and self-check. If there are no warnings, it means the battery is really for use.
2. To turn off the battery, please press and hold the power button on the remote switch for 3 seconds, you can see the indicators on the remote and battery are off.

2.2.3 Charging the Battery

Please read the following notices before charging:

- ⚠ Only use the ePropulsion charger specially designed for E-Series Batteries to charge the battery. Do not use a third-party charger to charge the battery.**
- ⚠ The charger's communication cable needs to be connected to the battery's CAN-OUT port.**
- ⚠ Please make sure that the AC power is turned off before charging.
- ⚠ Never mix up the positive terminals with negative terminals.
- ⚠ Only charge the battery at 0 ~ 55°C.
- ⚠ When charging, keep the battery away from water and avoid direct sunlight or rain. Charge the battery in the dry, ventilated place.
- ⚠ Avoid direct contact with the charger when in use, the charger can get to a high temperature.
- ⚠ Please do not overcharge the battery.
- ⚠ Keep the battery away from children.

1. When charging the battery, connect the charger's power cable to the positive and negative terminals of the battery. The positive terminal of the charger's power cable is connected with the positive terminal of the battery, and the negative terminal of the charger's power cable is connected with the negative terminal of the battery. Then connect the communication cable from the charger to the battery CAN-OUT port. Make sure that the connection is correct.
2. After confirming that the battery is turned off, connect the charger to AC power, and then press the power button on the battery/remote switch to turn on the battery. If the system has no alarms, indicating that the battery is successfully charging.
3. After the charging is completed, long press the power button on the battery/remote switch, then unplug the power plug of the charger, and then release the connection with the battery charger.

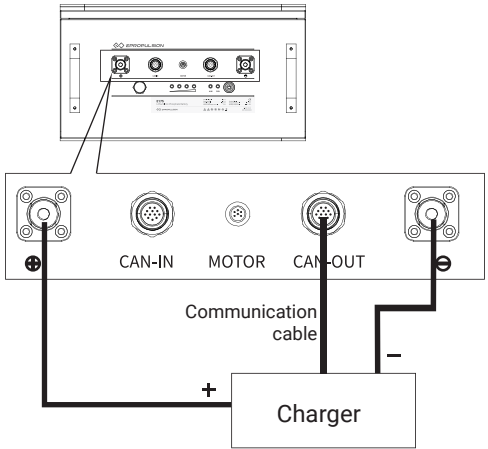


Figure 2-4