

3 Mounting the Motor

⚠ It is suggested to have certified boat builders or professional installers to install this pod system to your boat. Follow boat builder's instructions strictly to mount this product to your boat. Never try to install the pod system on your own if you are not experienced at that.

Step 1: Drill four holes in the proper position through the hull bottom. The suggested dimensions of the four holes are shown below:

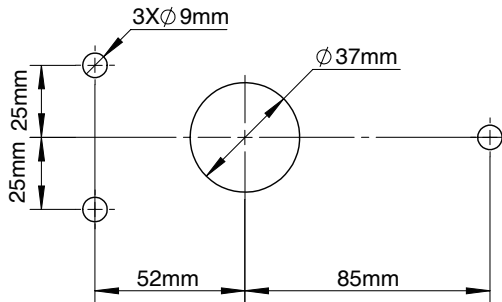


Figure 3-1

Step 2: Hold the pod motor and insert its two M8 bolts and supporting tube into the holes from below the hull bottom. Then lock the each M8 bolt from inside the boat by a plain washer and a nut (Figure 3-2).

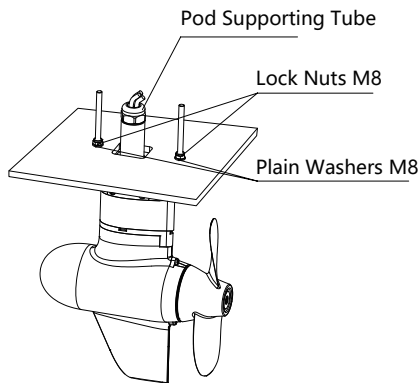


Figure 3-2

Step 3: Connect the motor cables terminal with the driver module cables terminal. Align the arrows ① in the terminals first (refer to Figure 3-3) then plug in. After two terminals are properly connected, lock them by the buckle ring in the direction of arrow ② .

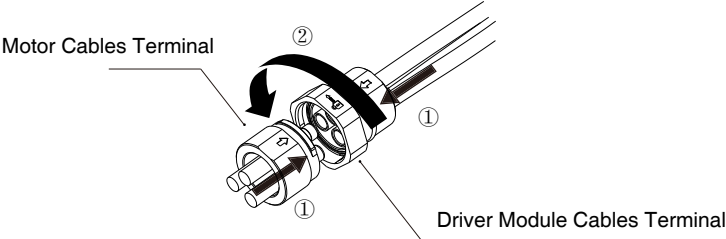


Figure 3-3

! Align the two terminals before coupling the two parts. Fail to do so can cause motor reversion.

Step 4: Place the driver module in an appropriate place on board and fix it with four M8 screws.

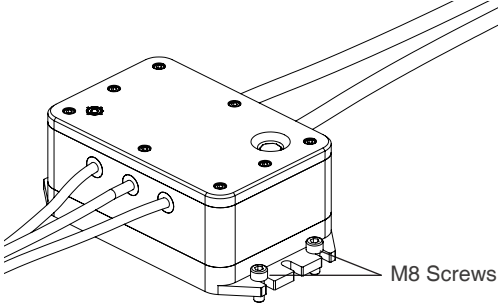


Figure 3-4