

4.3 Batteries in Series/Parallel

Users can also choose to make a 48V battery by connecting four 12V batteries in series. When connecting four 12V batteries in series to make a 48V battery set to supply power for Pod Drive 3.0, use bridging cables to connect batteries in series (Figure 4-3). Make sure to connect the cable with main switch attached to the positive terminal and connect the other cable to the negative terminal.

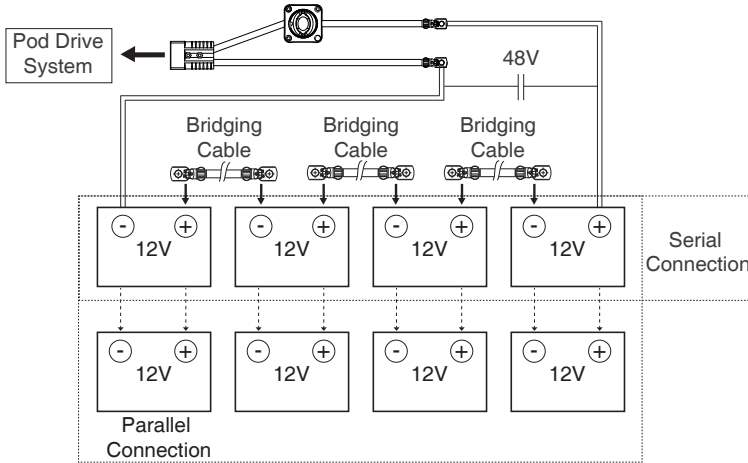





Figure 4-3

-  Only use the same batteries (same model, same capacity, same age and same manufacturer) in series and/or in parallel. Variations in batteries will cause damage.
-  Never reverse the polarity. Please pay more attention when connecting batteries in series and/or in parallel configuration. Always double check by referring to Figure 4-3.
-  NAVY Batteries support parallel connection. Up to 8 NAVY Batteries can be connected in parallel.